



MINIATURE LED LIGHT

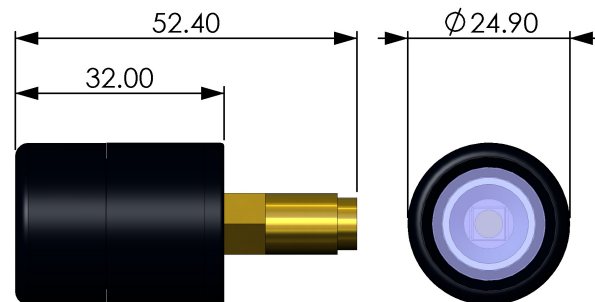
The AC-CESS Miniature LED Light is a low cost, deep rated, ultra-bright, dimmable, underwater light.

- **Very small**
- **Deep rated**
- **Dimmable**

A high precision quality product, depth rated to 5000m. The light provides all of the benefits of LED lighting when compared with other options; exceptional lamp life, ultra-bright and very low power consumption. The light is emitted by a single led chip set in a special reflector to give even and wide angle light dispersal through the sapphire crystal window. Internal electronics provide reverse polarity protection and the standard light comes with a Hummer 2 way bulkhead connector.

- **Ultra-bright**
- **Exceptional lamp life**
- **Reverse Polarity Protected**

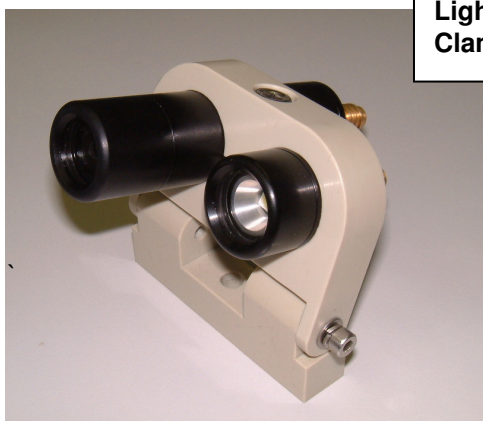
Designed to combine with the AC-CESS Miniature Colour Camera and adjustable pan and tilt bracket.



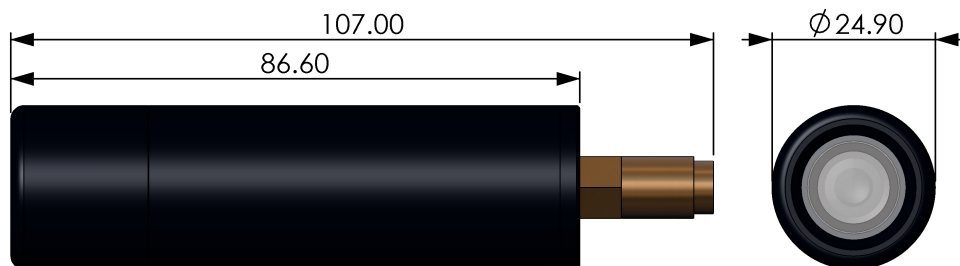
SPECIFICATION: AC-LED-001A

POWER	8-24 vdc
CURRENT	30mA
PROTECTION	Reverse Polarity
LAMP TYPE	LED
LUMINOUS INTENSITY @ 1M	30 LUX
COLOUR TEMPERATURE	7000°K
BEAM ANGLE	45°
WINDOW	Sapphire Crystal

DEPTH RATING	5000m
TEMPERATURE	-10 °C to +50 °C operating
DIAMETER	24.90 mm
LENGTH	32 mm exc.connector
WEIGHT IN AIR (WITH CONN)	48g
WEIGHT IN SEAWATER	31.75g
CONNECTOR	Hummer HUMG-2-BCR



Light (AC-LED-001A) with Camera (AC-CAM-001A)
Clamped in polypropylene pan and tilt bracket



Camera (AC-CAM-001A)